



Product Features

- 1, LED Emergency converter that can transfer standard LED fitting into emergency LED fitting
- 2, Used with LiFePO4 battery, The battery is supplied separately depending on the operating time like in Table with Emergency Characteristics.
- 3, Suits for LED fitting with external LED driver
- 4, Accessory test switch and charge indicator
- 5, Isolated
- 6, Emergency power: 6W

1) Compliances and Approvals

Approvals	CE EAC
Built-in/independent	Built in
Ingress protection	IP20
Suitable for fixture of protection Class	Class I
Output Safety Level	Isolated
Enviromental	Indoor
Features	Fixed

2) Electric Input Characteristics

Symbol	Remarks	Min.	Typical	Max.	Unit	
Input Voltage						
Rated mains voltage	Vin	Nominal range	220	-	240	Vac
Mains voltage range	Vin.op	operational	195	-	264	Vac
Mains frequency nominal	fn	Nominal range	50		60	Hz
Input Current						
Input current	lin	@230Vac, full load			0.06	A
Power Factor	PF	@230Vac, full load	0.6			
Input Power						
Input Power	Pin	@230Vac, full load			6	W
Input Power@ open load		rated input voltage			0.9	W
Input Power@ standby		rated input voltage		NA		

3) Electric Output Characteristics

Symbol	Remarks	Min.	Typical	Max.	Unit	
Output Voltage						
Output voltage range	Vo	measured at end of wire	50		250	Vdc
Output voltage @no load	Vo.max	open load		300		Vdc
Output Current						
Output Current	Io	Suits for LED driver's Output current			1500	mA
Isolation						
In-Out		3000Vac. for 1min			10	mA

4) Emergency Characteristics

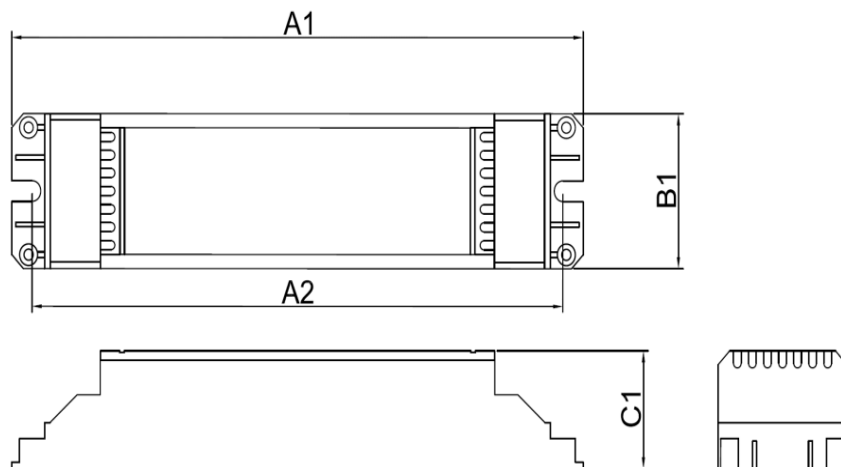
Symbol	Remarks	Min.	Typical	Max.	Unit
Emergency Power	@230Vac, full load		6		W
Recharge Time			24		Hours
Emergency Periods and battery	@LiFePO4 18650 6.4V 1.5Ah	60			Min
Emergency Periods and battery	@LiFePO4 18650 6.4V 2.0Ah	90			Min
Self-testing			With		

5) Robustness	Symbol	Remarks	Min.	Typical	Max.	Unit
General						
Electric strength	Input-Output	50Hz/60Hz and be applied for 1 min		3000		Vrms
	Input-GND			1480		Vrms
Insulation Resistance Test		500Vd.c. for 1min, For SELV part is 100 Vd.c.	2			MΩ
Reliability						
Rated Life@Tc.max		10% failure			50K	Hrs
Rated Life@Tc.life		10% failure			100K	Hrs
Surge	L-N			1		kV
Surge	L/N-PE			2		kV
Environment Operation						
Ambient temperature	Ta		0		50	°C
Maximum Tcase	Tc.max				70	°C
Tc life	Tc.life				60	°C
Operation Humidity	H.op		10		75	%
Environment Storage						
Storage temperature	T.st		-10		45	°C
Storage Humidity	Hst		10		75	%

6) Warranty




- Warranty 5 years
- Except for the following circumstance:
 - 1) Improper Installation or operation
 - 2) Misuse
 - 3) Abuse
 - 4) Unauthorized or improper repair alteration
 - 5) Accident or negligence in use, storage, transportation.
 - 6) Any natural destroy
 - 7) Exceed the specification as per the product datasheet
 - 8) The battery needs to be replaced every 12 months, the Customer must install a battery purchased from OSSDAT .

7) Mechanical properties	Symbol	Remarks					Unit
Dimensions			L	W	H	M	
			148(A1)	33.5(B1)	25.5(C1)	137.5(A2)	mm
Housing Material			Plastic				



8) Physical properties	Symbol	Remarks	Unit
Weight			76 gram
Qty to Carton			100 pcs
Carton Size:			35.5*16*30.5 cm
G.W:			8 kgs
Potting Raw materials			without
Printing		printing can be changed by customer's email confirmation	

size:86.7*27mm

				LED Control gear 250V 1.5A Max	+ -
PL-EMPA-6W000M5025VF LED Emergency Converter		● tc Made in China NingBo Luxdator Electrical Co., Ltd.		Output Leds 50-250V 6W	+ -
L	220-240VAC 50-60Hz	LiFePO4 6.4V 1.5Ah - 60min duration		LED Indicator Test Switch (Normally open)	S1
N	Max Current:60mA	LiFePO4 6.4V 2.0Ah - 90min duration			S2
L _{out}	Max Power:6W	The battery is supplied separately			S3
L _{in}	Power Factor:>0.6 Ta: 0...50°C Tc: 70°C				S4

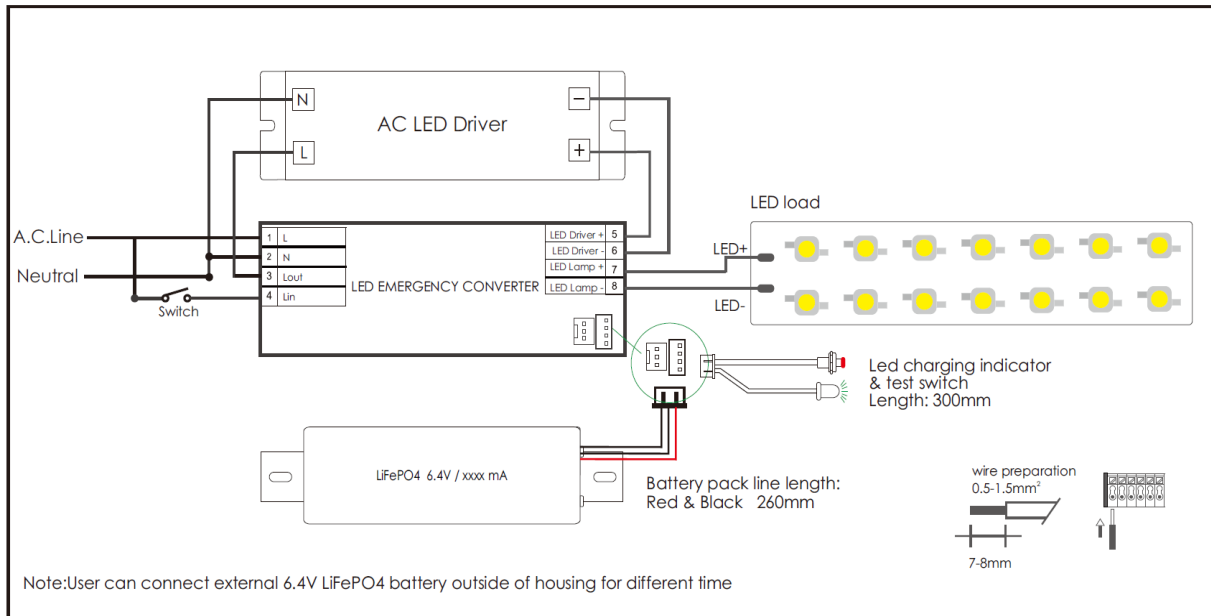
Connection

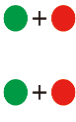
	Signal	Cable Description	Remark
Input	L	0.5-0.75mm ²	grey, push-in terminal
	N	0.5-0.75mm ²	grey, push-in terminal
	L _{out}	0.5-0.75mm ²	grey, push-in terminal
	L _{in}	0.5-0.75mm ²	grey, push-in terminal
Output	+	0.5-0.75mm ²	red, push-in terminal
	-	0.5-0.75mm ²	black, push-in terminal
	+	0.5-0.75mm ²	red, push-in terminal
	-	0.5-0.75mm ²	black, push-in terminal

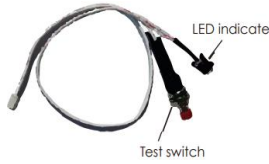
Connection Marking

Yes

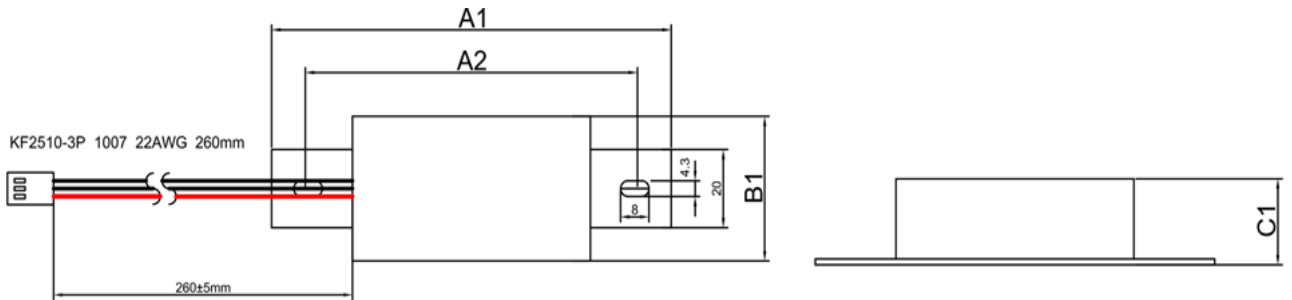
Connection Method



9) Test Switch	Symbol	Remarks	Min.	Typical	Max.	Unit
LED indicator		indicate that charging status				
Mounting hole		Dia		6.5		mm
wire Length				300		mm
LED indicator status						
						
		Off:mains supply disconnected				
		Green stable:AC input is OK Battery fully charged				
		Green and Red flicker: AC input is OK				
		Green stable:AC input is OK				
		Green and Red : AC input is OK				
		Battery charging				
		Green flicker 1Hz : self test monthly				
		Enable: Push Test Switch for 3 second				
		Green flicker 3Hz : self test yearly				
		Enable: Push Test Switch for 5 second				
Test Switch		checking the device function				
Mounting hole		Dia		7		mm
wire Length		Battery charging		300		mm



10) Battery	Symbol	Remarks	Unit			
Dimensions			L	W	H	M
			112(A1)	37(B1)	22(C1)	92(A2)
Weight				95		gram
Qty to Carton				100		pcs
Carton Size:				43*23*14.5		cm
G.W:				10.5		kgs



LiFePO4 6.4V 1.5Ah

LiFePO4 6.4V 2.0Ah

Remark

- LiFePO4 18650 battery core
- Battery voltage 6.4V
- Rated 1500 charge/discharge cycle
- Max.short term battery case temperature 70℃ (shorter than 1 month over the battery lifetime)
- Ambient temperature 0℃to+50℃
- Two wires:1 red and 2 black
- Length: 260mm
- The battery needs to be replaced every 12 months
- To guarantee the rated discharge time,please charge the battery for at least more than 12 hours.
- Charge and discharge cycle needs to be done at least once every three months,and the continuous charging time can not exceed 3 months.

11) Directives / Test Standards

Directives / Test Standards

Safety

IEC61347-1、IEC61347-2-7、IEC61347-2-13、IEC60598-2-22

EMC

EN55015、CISPR15

12) Installation Notice

- Before installation or maintenance,ensure that the mains supply to the luminaire is switched off and the circuit breaker switched off.
- It is recommended that a qualified electrician is consulted or used for the installation fo this product and installed to the current edition of the IEE wiring Regulations and relevant Building Regulations.
- Check that the total load on the circuit including when this product is fitted does not exceed the rating of the circuit cable,fuse or circuit breaker.
- Do not forget to connect the battery to check the operation.

13) Addition Remarks

- The LED driver used in combination with the end device is one of the accessories of the whole light fixture, and the EMC of the whole light fixture is not only susceptible to the driver itself, but to the LED light fixture and the whole light fixture's wiring. The manufacturer of LED light fixture should re-confirm the EMC of the whole light fixture before the whole light fixture is finished.
- The luminaire manufacturer is responsible for the correct choice and installation of the LED drivers according to the application and product datasheets. Operating conditions of the LED drivers may never exceed the specifications as per the product datasheet.
- All parameters, if not specified, are measured at 230Vac full loading and 25°C ambient temperature