


Product Features

- 1, LED Emergency converter that can transfer standard LED fitting into emergency LED fitting
- 2, Used with LiFePO4 battery, The battery is supplied separately depending on the operating time like in Table with Emergency Characteristics.
- 3, Suits for LED fitting with external LED driver
- 4, Accessory test switch and charge indicator
- 5, Isolated
- 6, Emergency power: 4W

1) Compliances and Approvals

Approvals	CE EAC
Built-in/independent	Built in
Ingress protection	IP20
Suitable for fixture of protection Class	Class I
Output Safety Level	Isolated
Environmental	Indoor
Features	Fixed

2) Electric Input Characteristics

	Symbol	Remarks	Min.	Typical	Max.	Unit
Input Voltage						
Rated mains voltage	Vin	Nominal range	220	-	240	Vac
Mains voltage range	Vin.op	operational	195	-	264	Vac
Mains frequency nominal	fn	Nominal range	50		60	Hz
Input Current						
Input current	lin	@230Vac, full load			0.06	A
Power Factor	PF	@230Vac, full load	0.6			
Input Power						
Input Power	Pin	@230Vac, full load			6	W
Input Power@ open load		rated input voltage			0.9	W
Input Power@ standby		rated input voltage		NA		

3) Electric Output Characteristics

	Symbol	Remarks	Min.	Typical	Max.	Unit
Output Voltage						
Output voltage range	Vo	measured at end of wire	10		50	Vdc
Output voltage @no load	Vo.max	open load		80		Vdc
Output Current						
Output Current	Io	Suits for LED driver's Output current			1500	mA
Isolation						
In-Out		3000Vac. for 1min			10	mA

4) Emergency Characteristics

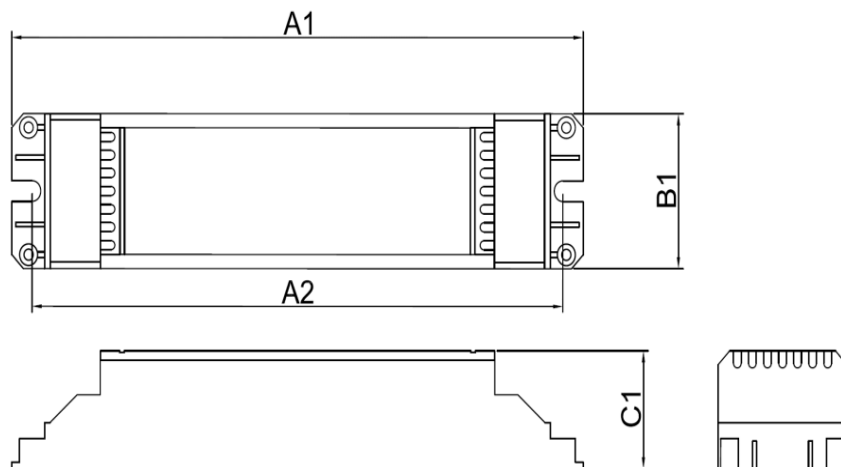
	Symbol	Remarks	Min.	Typical	Max.	Unit
Emergency Power		@230Vac, full load		4		W
Recharge Time				24		Hours
Emergency Periods and battery		@LiFePO4 18650 6.4V 1.5Ah	80			Min
Emergency Periods and battery		@LiFePO4 18650 6.4V 2.0Ah	130			Min
Self-testing				With		

5) Robustness	Symbol	Remarks	Min.	Typical	Max.	Unit
General						
Electric strength	Input-Output	50Hz/60Hz and be applied for 1 min		3000		Vrms
	Input-GND			1480		Vrms
Insulation Resistance Test		500Vd.c. for 1min, For SELV part is 100 Vd.c.	2			MΩ
Reliability						
Rated Life@Tc.max		10% failure			50K	Hrs
Rated Life@Tc.life		10% failure			100K	Hrs
Surge	L-N			1		kV
Surge	L/N-PE			2		kV
Environment Operation						
Ambient temperature	Ta		0		50	°C
Maximum Tcase	Tc.max				70	°C
Tc life	Tc.life				60	°C
Operation Humidity	H.op		10		75	%
Environment Storage						
Storage temperature	T.st		-10		45	°C
Storage Humidity	Hst		10		75	%

6) Warranty

- Warranty 5 years
- Except for the following circumstance:
 - 1) Improper Installation or operation
 - 2) Misuse
 - 3) Abuse
 - 4) Unauthorized or improper repair alteration
 - 5) Accident or negligence in use, storage, transportation.
 - 6) Any natural destroy
 - 7) Exceed the specification as per the product datasheet
 - 8) The battery needs to be replaced every 12 months, the Customer must install a battery purchased from OSSDAT .

7) Mechanical properties	Symbol	Remarks					Unit
Dimensions			L	W	H	M	
			148(A1)	33.5(B1)	25.5(C1)	137.5(A2)	mm
Housing Material			Plastic				



8) Physical properties	Symbol	Remarks	Unit	
Weight			76	gram
Qty to Carton			100	pcs
Carton Size:			35.5*16*30.5	cm
G.W:			8	kgs
Potting Raw materials			without	
Printing		printing can be changed by customer's email confirmation		

size:86.7*27mm

				<table border="1" style="font-size: 8px;"> <tr><td>LED Control gear</td><td style="text-align: center;">+</td></tr> <tr><td>50V 1.5A Max</td><td style="text-align: center;">-</td></tr> </table>	LED Control gear	+	50V 1.5A Max	-																									
LED Control gear	+																																
50V 1.5A Max	-																																
PL-EMPA-4W000M1050VF LED Emergency Converter		● tc Made in China NingBo Luxdator Electrical Co., Ltd.		<table border="1" style="font-size: 8px;"> <tr><td>Output Leds</td><td style="text-align: center;">+</td></tr> <tr><td>10-50V 4W</td><td style="text-align: center;">-</td></tr> </table>	Output Leds	+	10-50V 4W	-																									
Output Leds	+																																
10-50V 4W	-																																
<table border="1" style="width: 100%;"> <tr><td>L</td><td>220-240VAC 50-60Hz</td><td>LiFePO4 6.4V 1.5Ah - 80min duration</td><td rowspan="4" style="font-size: 8px; vertical-align: middle;"> Red + <table border="1" style="font-size: 6px;"><tr><td>+</td></tr><tr><td>-</td></tr></table> Black - <table border="1" style="font-size: 6px;"><tr><td>-</td></tr><tr><td>-</td></tr></table> </td></tr> <tr><td>N</td><td>Max Current:60mA</td><td>LiFePO4 6.4V 2.0Ah - 130min duration</td></tr> <tr><td>Lout</td><td>Max Power:6W</td><td>The battery is supplied separately</td></tr> <tr><td>Lin</td><td>Power Factor:>0.6</td><td></td></tr> <tr><td colspan="2"></td><td>Ta: 0...50°C Tc: 70°C</td><td></td></tr> </table>	L	220-240VAC 50-60Hz	LiFePO4 6.4V 1.5Ah - 80min duration	Red + <table border="1" style="font-size: 6px;"><tr><td>+</td></tr><tr><td>-</td></tr></table> Black - <table border="1" style="font-size: 6px;"><tr><td>-</td></tr><tr><td>-</td></tr></table>	+	-	-	-	N	Max Current:60mA	LiFePO4 6.4V 2.0Ah - 130min duration	Lout	Max Power:6W	The battery is supplied separately	Lin	Power Factor:>0.6				Ta: 0...50°C Tc: 70°C					<table border="1" style="width: 100%;"> <tr><td>LED Indicator</td><td style="text-align: center;">S1</td></tr> <tr><td>Test Switch</td><td style="text-align: center;">S2</td></tr> <tr><td>(Normally open)</td><td style="text-align: center;">S3</td></tr> <tr><td></td><td style="text-align: center;">S4</td></tr> </table>	LED Indicator	S1	Test Switch	S2	(Normally open)	S3		S4
L	220-240VAC 50-60Hz	LiFePO4 6.4V 1.5Ah - 80min duration	Red + <table border="1" style="font-size: 6px;"><tr><td>+</td></tr><tr><td>-</td></tr></table> Black - <table border="1" style="font-size: 6px;"><tr><td>-</td></tr><tr><td>-</td></tr></table>		+	-	-	-																									
+																																	
-																																	
-																																	
-																																	
N	Max Current:60mA	LiFePO4 6.4V 2.0Ah - 130min duration																															
Lout	Max Power:6W	The battery is supplied separately																															
Lin	Power Factor:>0.6																																
		Ta: 0...50°C Tc: 70°C																															
LED Indicator	S1																																
Test Switch	S2																																
(Normally open)	S3																																
	S4																																

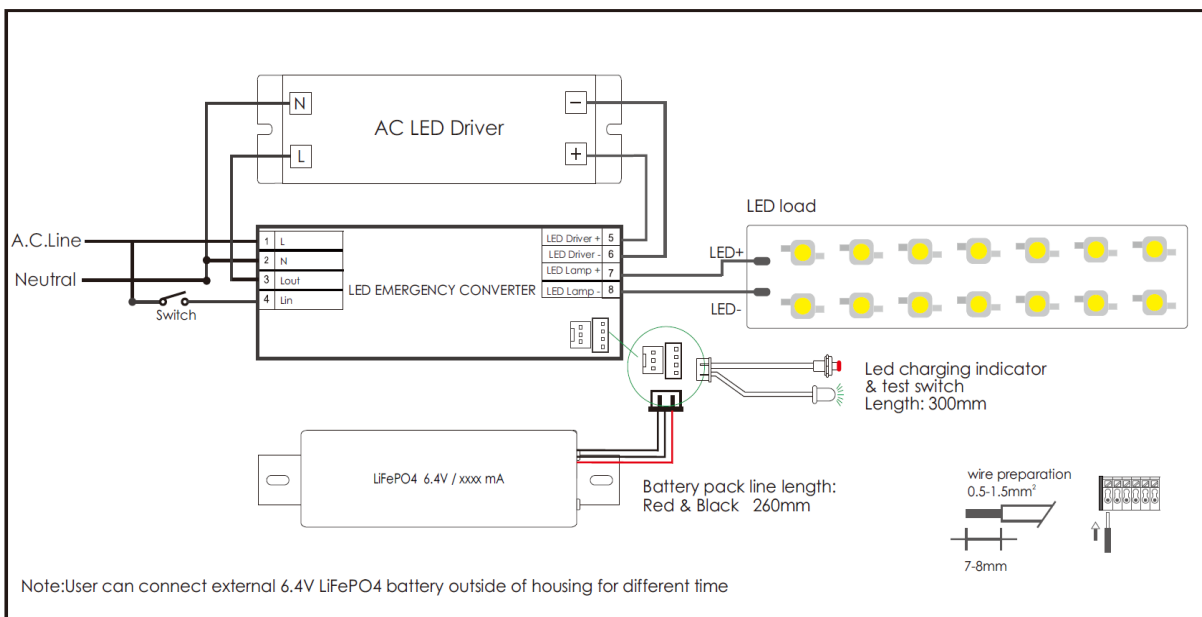
Connection

	Signal	Cable Description	Remark
Input	L	0.5-0.75mm ²	grey, push-in terminal
	N	0.5-0.75mm ²	grey, push-in terminal
	Lout	0.5-0.75mm ²	grey, push-in terminal
	Lin	0.5-0.75mm ²	grey, push-in terminal
Output	+	0.5-0.75mm ²	red, push-in terminal
	-	0.5-0.75mm ²	black, push-in terminal
	+	0.5-0.75mm ²	red, push-in terminal
	-	0.5-0.75mm ²	black, push-in terminal

Connection Marking

Yes

Connection Method



11) Directives / Test Standards

Directives / Test Standards

Safety

IEC61347-1、IEC61347-2-7、IEC61347-2-13、IEC60598-2-22

EMC

EN55015、CISPR15

12) Installation Notice

- Before installation or maintenance, ensure that the mains supply to the luminaire is switched off and the circuit breaker switched off.
- It is recommended that a qualified electrician is consulted or used for the installation of this product and installed to the current edition of the IEE wiring Regulations and relevant Building Regulations.
- Check that the total load on the circuit including when this product is fitted does not exceed the rating of the circuit cable, fuse or circuit breaker.
- Do not forget to connect the battery to check the operation.

13) Addition Remarks

- The LED driver used in combination with the end device is one of the accessories of the whole light fixture, and the EMC of the whole light fixture is not only susceptible to the driver itself, but to the LED light fixture and the whole light fixture's wiring. The manufacturer of LED light fixture should re-confirm the EMC of the whole light fixture before the whole light fixture is finished.
- The luminaire manufacturer is responsible for the correct choice and installation of the LED drivers according to the application and product datasheets. Operating conditions of the LED drivers may never exceed the specifications as per the product datasheet.
- All parameters, if not specified, are measured at 230Vac full loading and 25°C ambient temperature